

APPLICATION:

JOB NAME:

QUANTITY:                      ITEM NO.

PRODUCT NAME:  
 8" C/C BACKSPLASH MOUNT  
 CONTROL VALVE

SPECIAL CONFIGURATION  
 CHECK BASE MODEL AND OPTIONS

MODEL:  
 5400-CV

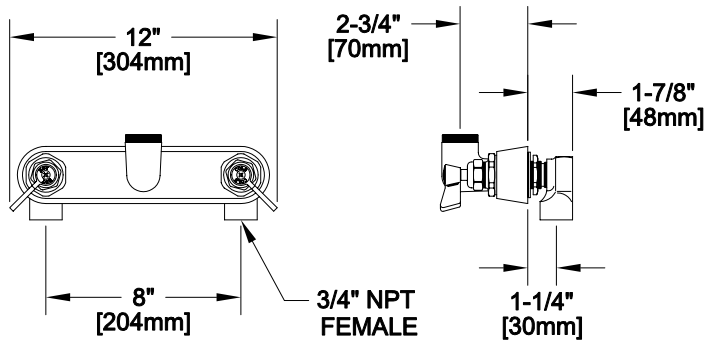
OPTIONS OR MODIFICATIONS:  
 HANDLES (CROSS OR WRIST) CIRCLE STYLE  
 VANDAL RESISTANT KIT  
 OTHER \_\_\_\_\_

**FEATURES**

- CONTROL VALVE**
- \* 8" BACKSPLASH MOUNT
  - \* INTERNAL SPRING LOADED CHECK VALVES
  - \* SWIVEL OUTLET
  - \* SWIVELLING SEAT DISKS
  - \* HOT SIDE STEM - RIGHT HAND
  - \* COLD SIDE STEM - LEFT HAND
  - \* STAINLESS STEEL SEATS
  - \* STAINLESS STEEL SEAT SCREWS
  - \* STAINLESS STEEL HANDLE SCREWS
  - \* CLOSE ELBOWS

- SYSTEM LIMITS**
- \* TEMP: 40°F MIN. TO 140°F MAX.
  - \* PRESSURE: 200 PSI MAX. STATIC
  - \* 37 GPM AT 80 PSI

- SHIPPING WEIGHT**
- \* 7.0 LBS



**ROUGH-IN:**

